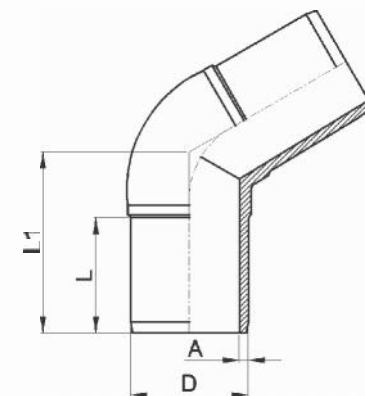


45° Elbow

PE100 | SDR 11 | Water PN 16 | Gas 10 Bar

D (mm)	L (mm)	L1 (mm)	A (mm)	Weight (kg)	Box Quantity
20	41	70	3.0	0.025	60
25	41	75	3.0	0.035	50
32	44	80	3.0	0.055	50
40	49	85	3.7	0.090	32
50	55	90	4.6	0.135	62
63	63	95	5.8	0.219	42
75	70	105	6.8	0.325	30
90	79	120	8.2	0.570	24
110	82	130	10.0	0.965	18
125	87	140	11.4	1.270	12
140	92	150	12.7	1.690	12
160	98	160	14.6	2.365	9
180	105	170	16.4	3.310	4
200	112	185	18.2	4.490	4
225	120	200	20.5	5.920	2
250	129	217	22.7	8.020	2
280	139	238	25.4	11.230	1
315	150	256	28.6	15.000	1



PE100 | SDR 17 | Water PN 10 | Gas 6 Bar

D (mm)	L (mm)	L1 (mm)	A (mm)	Weight (kg)	Box Quantity
50	80	108	3.0	0.090	42
63	63	95	3.8	0.180	42
75	70	105	4.5	0.240	30
90	79	120	5.4	0.415	24
110	82	130	6.6	0.680	18
125	87	140	7.4	0.900	12
140	92	150	8.3	1.160	12
160	98	160	9.5	1.750	9
180	105	170	10.7	2.330	4
200	112	185	11.9	3.190	4
225	120	200	13.4	4.220	2
250	129	217	14.8	5.800	2
280	139	238	16.6	8.040	1
315	150	256	18.7	11.000	1

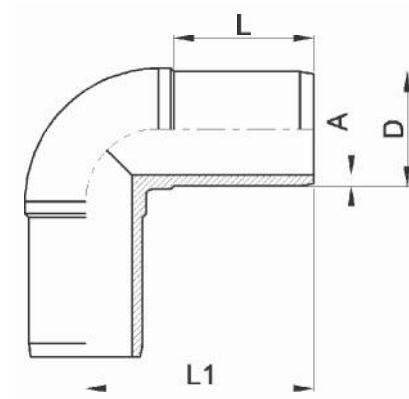
Equal Tee SDR 11



PE100 | SDR 11 | Water PN 16 | Gas 10 Bar

D (mm)	L (mm)	L1 (mm)	L2 (mm)	A (mm)	Weight (kg)	Box Quantity
20	135	41	69	3.0	0.035	50
25	145	41	74	3.0	0.050	40
32	157	44	80	3.0	0.080	30
40	183	49	93	3.7	0.130	50
50	222	55	113	4.6	0.210	47
63	239	63	123	5.8	0.380	36
75	273	70	139	6.8	0.570	22
90	301	79	153	8.2	0.910	14
110	337	82	171	10.0	1.580	14
125	367	87	186	11.4	2.215	8
140	384	92	195	12.7	2.735	6
160	428	98	217	14.6	4.070	4
180	472	105	239	16.4	5.750	3
200	488	112	247	18.2	7.375	2
225	534	120	270	20.5	10.140	2
250	597	129	302	22.7	14.100	2
280	698	139	353	25.4	21.550	1
315	726	150	388	28.6	27.000	1
355	829	167	414	32.2	39.800	1
400	913	198	457	36.3	42.450	1
450	954	198	477	40.9	77.300	1
500	1050	218	525	45.4	101.000	1
560	1380	400	500	50.9	141.000	1
630	1450	400	540	57.2	187.000	1
710	1710	400	650	64.5	318.000	1
800	1850	400	400	72.7	409.100	1

90° Elbow



PE100 | SDR 11 | Water PN 16 | Gas 10 Bar

D (mm)	L (mm)	L1 (mm)	A (mm)	Weight (kg)	Box Quantity
20	41	62	3.0	0.022	60
25	41	65	3.0	0.026	60
32	44	71	3.0	0.043	50
40	49	80	3.7	0.072	42
50	55	96	4.6	0.132	25
63	63	118	5.8	0.274	30
75	70	133	6.8	0.420	30
90	79	148	8.2	0.660	20
110	82	152	10.0	1.310	12
125	87	175	11.4	1.450	12
140	92	207	12.7	2.120	8
160	98	210	14.6	2.860	4
180	105	226	16.4	4.000	4
200	112	253	18.2	5.900	4
225	120	270	20.5	7.200	2
250	129	300	22.7	10.400	1
280	139	348	25.4	16.000	1
315	150	380	28.6	20.950	1



PE100 | SDR 17 | Water PN 10 | Gas 6 Bar

D (mm)	L (mm)	L1 (mm)	A (mm)	Weight (kg)	Box Quantity
50	59	108	3.0	0.132	30
63	63	118	3.8	0.205	30
75	70	133	4.5	0.315	30
90	79	148	5.4	0.470	20
110	82	152	6.6	1.040	12
125	87	175	7.4	1.035	12
140	92	207	8.3	1.460	8
160	98	210	9.5	2.025	4
180	105	226	10.7	2.820	4
200	112	253	11.9	4.245	4
225	120	270	13.4	5.025	2
250	129	300	14.8	7.600	1
280	139	348	16.6	11.700	1
315	150	380	18.7	15.700	1

Equal Tee SDR 17



PE100 | SDR 17 | Water PN 10 | Gas 6 Bar

D (mm)	L (mm)	L1 (mm)	L2 (mm)	A (mm)	Weight (kg)	Box Quantity
50	184	57	90	3.0	0.147	47
63	239	63	123	3.8	0.295	36
75	273	70	139	4.5	0.425	22
90	301	79	153	5.4	0.660	14
110	337	82	171	6.6	1.190	14
125	367	87	186	7.4	1.585	8
140	384	92	195	8.3	1.990	6
160	428	98	217	9.5	2.940	4
180	472	105	239	10.7	4.025	3
200	488	112	247	11.9	5.250	2
225	534	120	270	13.4	7.480	2
250	597	129	302	14.8	9.900	2
280	698	139	353	16.6	15.700	1
315	726	150	388	18.7	19.000	1
355	818	165	408	21.1	25.850	1
400	910	197	455	23.7	35.015	1
450	955	197	478	26.7	56.000	1
500	1050	218	525	29.7	71.000	1
560	1380	400	500	32.9	96.000	1
630	1450	400	540	37.1	127.000	1
710	1710	400	650	41.8	220.000	1
800	1850	400	400	47.1	281.000	1

End Cap

PE100 | SDR 11 | Water PN 16 | Gas 10 Bar

D (mm)	L (mm)	A (mm)	Weight (kg)	Box Quantity
20	41	3.0	0.008	100
25	41	3.0	0.012	100
32	44	3.0	0.016	100
40	49	3.7	0.028	60
50	55	4.6	0.052	50
63	63	5.8	0.088	36
75	70	6.8	0.142	27
90	79	8.2	0.235	60
110	82	10.0	0.370	36
125	87	11.4	0.520	24
140	92	12.7	0.745	22
160	98	14.6	1.025	15
180	105	16.4	1.342	8
200	112	18.2	1.795	10
225	120	20.5	2.540	4
250	129	22.7	3.260	4
280	139	25.4	4.460	3
315	150	28.6	6.195	2
355	164	32.3	8.910	1
400	179	36.4	12.440	1
450	285	40.9	30.000	1
500	290	45.5	36.900	1
560	300	50.9	48.500	1
630	310	57.3	64.800	1



PE100 | SDR 17 | Water PN 10 | Gas 6 Bar

D (mm)	L (mm)	A (mm)	Weight (kg)	Box Quantity
50	70	3.0	0.036	50
63	63	3.8	0.070	36
75	70	4.5	0.110	27
90	79	5.4	0.182	60
110	82	6.6	0.289	36
125	87	7.4	0.404	24
140	92	8.3	0.594	22
160	98	9.5	0.813	15
180	105	10.7	1.056	8
200	112	11.9	1.420	10
225	120	13.4	2.031	4
250	129	14.8	2.583	4
280	139	16.6	3.550	3
315	150	18.7	4.952	2
355	164	21.1	7.178	1
400	179	23.7	10.024	1
450	285	26.5	20.900	1
500	290	29.4	27.500	1
560	300	32.9	36.600	1
630	310	37.1	49.300	1
710	320	41.8	54.000	1
800	330	47.1	73.300	1
900	340	52.9	98.900	1
1000	560	58.8	123.900	1

Flange Adaptor SDR 11



PE100 | SDR 11 | Water PN 16 | Gas 10 Bar

D (mm)	D1 (mm)	D2 (mm)	L (mm)	L1 (mm)	L2 (mm)	A (mm)	Weight (kg)	Box Quantity
20	28	45	41	7	76	3.0	0.025	100
25	34	58	41	9	81	3.0	0.040	50
32	42	68	44	10	85	3.0	0.060	40
40	48	78	49	11	88	3.7	0.085	70
50	58	88	55	12	92	4.6	0.125	50
63	78	102	63	14	100	5.8	0.190	60
75	92	122	70	16	120	6.8	0.300	60
90	108	138	79	17	132	8.2	0.455	45
110	128	158	82	18	157	10.0	0.690	24
125	135	158	87	25	170	11.4	0.880	16
140	158	188	92	25	175	12.7	1.320	12
160	178	212	98	25	180	14.6	1.630	12
180	188	212	105	30	190	16.4	2.020	12
200	235	268	112	32	200	18.2	2.680	4
225	238	268	120	32	200	20.5	3.150	4
250	288	320	129	35	205	22.7	4.030	2
280	294	320	139	35	215	25.4	4.750	2
315	338	370	150	35	220	28.6	6.650	2
355	376	430	164	40	243	32.3	9.050	1
400	430	480	179	46	259	36.4	11.920	1
*450	517	585	195	60	301	40.9	22.000	1
*500	533	585	212	60	314	45.5	25.000	1
*560	618	685	235	72	345	50.9	36.800	1
*630	645	685	255	65	360	57.3	42.250	1
710	737	800	400	67	520	64.5	51.100	1
800	840	905	400	74	520	72.7	65.700	1

* sizes 450 - 630 - Injected short type - supplied with pipe extension

Flange Adaptor SDR 17



PE100 | SDR 17 | Water PN 10 | Gas 6 Bar

D (mm)	D1 (mm)	D2 (mm)	L (mm)	L1 (mm)	L2 (mm)	A (mm)	Weight (kg)	Box Quantity
50	61	88	79	12	108	3.0	0.114	60
63	78	102	63	14	98	3.8	0.165	60
75	92	122	70	16	107	4.5	0.262	60
90	108	138	79	17	116	5.4	0.400	45
110	128	158	82	17	128	6.6	0.560	24
125	135	158	87	18	132	7.4	0.690	16
140	158	188	92	18	142	8.3	1.060	12
160	178	212	98	18	145	9.5	1.170	12
180	188	212	105	20	150	10.7	1.490	12
200	235	268	112	24	174	11.9	1.980	4
225	238	268	120	24	179	13.4	2.280	4
250	288	320	129	25	195	14.8	3.400	2
280	294	320	139	25	205	16.6	3.850	2
315	338	370	150	25	216	18.7	4.700	2
355	376	430	164	30	233	21.1	6.250	1
400	430	480	179	33	246	23.7	8.750	1
*450	517	585	195	46	287	26.7	15.300	1
*500	533	585	212	46	300	29.7	17.040	1
*560	618	685	235	50	330	33.2	23.850	1
*630	645	685	255	50	340	37.4	28.250	1
*710	740	800	255	60	350	42.1	38.050	1
*800	843	900	255	60	350	47.4	48.800	1
*900	947	1000	255	65	355	53.3	62.500	1
*1000	1050	1113	255	70	360	59.3	81.000	1
1200	1245	1330	400	90	590	68	174.00	1

* sizes 450 - 1000 - Injected short type
- supplied with pipe extension

Reducer SDR 11 - SDR17

PE100 | SDR 11 | Water PN 16 | Gas 10 Bar

D - D1 (mm)	L (mm)	L1 (mm)	L2 (mm)	A (mm)	A1 (mm)	Weight (kg)	Box Quantity
32-25	133	44	41	3.0	3.0	0.032	50
40-25	133	49	41	3.7	3.0	0.041	50
40-32	133	49	44	3.7	3.0	0.050	50
50-25	144	55	41	4.6	3.0	0.065	40
50-32	144	55	44	4.6	3.0	0.075	40
50-40	144	55	49	4.6	3.7	0.080	40
63-25	155	63	41	5.8	3.0	0.105	20
63-32	155	63	44	5.8	3.0	0.115	20
63-40	155	63	49	5.8	3.7	0.120	20
63-50	155	63	55	5.8	4.6	0.140	20
75-32	175	70	44	6.8	3.0	0.155	36
75-40	175	70	49	6.8	3.7	0.170	36
75-50	175	70	55	6.8	4.6	0.200	36
75-63	175	70	63	6.8	5.8	0.230	36
90-50	195	79	55	8.2	4.6	0.285	36
90-63	195	79	63	8.2	5.8	0.325	36
90-75	195	79	70	8.2	6.8	0.380	36
110-63	213	82	63	10.0	5.8	0.485	30
110-75	213	82	70	10.0	6.8	0.540	30
110-90	213	82	79	10.0	8.2	0.610	30
125-63	220	87	63	11.4	5.8	0.615	24
125-75	220	87	70	11.4	6.8	0.654	24
125-90	220	87	79	11.4	8.2	0.740	24
125-110	220	87	82	11.4	10.0	0.850	18
140-75	231	92	70	12.7	6.8	0.835	16
140-90	231	92	79	12.7	8.2	0.835	16
140-110	231	92	82	12.7	10.0	1.012	16
140-125	231	92	87	12.7	11.4	1.075	16
160-90	251	98	79	14.6	8.2	1.250	16
160-110	251	98	82	14.6	10.0	1.310	16
160-125	251	98	87	14.6	11.4	1.450	16
160-140	251	98	92	14.6	12.7	1.475	16
180-90	245	105	87	16.4	8.2	1.840	1
180-110	261	105	82	16.4	10.0	1.530	6
180-125	261	105	87	16.4	11.4	1.650	6
180-140	261	105	92	16.4	12.7	1.835	6
180-160	261	105	98	16.4	14.6	2.080	6
200-110	274	112	82	18.2	10.0	2.200	8
200-140	282	112	92	18.2	12.7	2.375	8
200-160	282	112	98	18.2	14.6	2.375	8
200-180	282	112	105	18.2	16.4	2.640	8
225-110	292	120	82	20.5	10.0	2.280	4



CONTINUED NEXT PAGE

Reducer SDR 11 - SDR17

PE100 | SDR 11 | Water PN 16 | Gas 10 Bar

D - D1 (mm)	L (mm)	L1 (mm)	L2 (mm)	A (mm)	A1 (mm)	Weight (kg)	Box Quantity
225-140	298	134	112	20.5	12.4	2.904	1
225-160	292	120	98	20.5	14.6	3.030	4
225-180	292	120	105	20.5	16.4	3.410	5
225-200	292	120	112	20.5	18.2	3.690	5
250-160	295	129	98	22.7	14.6	3.625	2
250-180	307	129	105	22.7	16.4	4.235	2
250-200	307	129	112	22.7	18.2	4.340	2
250-225	312	129	120	22.7	20.5	4.740	2
280-180	344	139	105	25.4	26.4	5.350	2
280-200	344	139	112	25.4	18.7	5.800	2
280-225	344	139	120	25.4	20.5	5.950	2
280-250	350	139	129	25.4	22.7	6.930	2
315-200	375	200	200	28.6	18.2	12.4	1
315-225	385	150	120	28.6	20.5	7.750	2
315-250	385	150	129	28.6	22.7	8.300	2
315-280	345	150	139	28.6	25.4	8.400	2
355-225	640	300	200	32.3	20.5	17.200	1
355-250	630	300	200	32.3	22.7	17.500	1
355-280	620	300	200	32.3	25.5	18.100	1
355-315	610	300	200	32.3	28.6	18.800	1
400-225	660	300	200	36.4	20.5	22.000	1
400-250	650	300	200	36.4	22.7	22.300	1
400-280	640	300	200	36.4	25.5	22.800	1
400-315	620	300	200	36.4	28.6	23.000	1
400-355	610	300	300	36.4	32.3	27.200	1
450-280	760	300	200	40.9	25.5	28.900	1
450-315	740	300	200	40.9	28.6	29.100	1
450-355	730	300	300	40.9	32.3	33.100	1
450-400	720	300	300	40.9	36.4	35.000	1
500-315	770	300	200	45.5	28.6	36.700	1
500-355	750	300	300	45.5	32.3	40.000	1
500-400	740	300	300	45.5	36.4	42.100	1
500-450	720	300	300	45.5	40.9	43.700	1
560-355	770	400	300	50.9	32.3	58.900	1
560-400	760	400	300	50.9	36.4	59.900	1
560-450	740	400	300	50.9	40.9	61.400	1
560-500	730	400	300	50.9	45.5	63.600	1
630-400	790	400	300	57.3	36.4	76.000	1
630-450	770	400	300	57.3	40.9	77.300	1
630-500	750	400	300	57.3	45.5	78.600	1
630-560	730	400	400	57.3	50.9	88.700	1



Reducing Tee SDR 11 - SDR 17

PE100 | SDR 11 | Water PN 16 | Gas 10 Bar



D - D1 (mm)	L (mm)	L1 (mm)	L2 (mm)	L3 (mm)	A (mm)	A1 (mm)	Weight (kg)	Box Quantity
50-25	222	55	41	85	5.8	3.0	0.185	32
50-32	222	55	44	92	5.8	3.0	0.192	32
50-40	222	55	49	98	5.8	3.7	0.198	32
63-32	239	63	44	98	5.8	3.0	0.305	36
63-40	239	63	49	104	5.8	3.7	0.312	36
63-50	239	63	55	111	5.8	4.6	0.330	36
75-32	273	70	44	105	6.8	3.0	0.460	22
75-40	273	70	49	111	6.8	3.7	0.465	22
75-50	273	70	55	118	6.8	4.6	0.480	22
75-63	273	70	63	126	6.8	5.8	0.500	22
90-50	301	79	55	129	8.2	4.6	0.755	14
90-63	301	79	63	137	8.2	5.8	0.785	14
90-75	301	79	70	144	8.2	6.8	0.840	14
110-50	337	82	55	152	10.0	4.6	1.275	14
110-63	337	82	63	154	10.0	5.8	1.330	14
110-75	337	82	70	160	10.0	6.8	1.380	14
110-90	337	82	79	167	10.0	8.2	1.420	14
125-90	367	87	79	177	11.4	8.2	1.950	8
125-110	367	87	82	181	11.4	10.0	2.080	8
140-90	384	92	79	180	12.7	8.2	2.380	6
140-110	384	92	82	185	12.7	10.0	2.490	6
140-125	384	92	87	190	12.7	11.4	2.630	6
160-63	428	98	63	181	14.6	5.8	3.385	5
160-75	428	98	70	188	14.6	6.8	3.435	5
160-90	428	98	79	197	14.6	8.2	3.480	5
160-110	428	98	82	201	14.6	10.0	3.620	4
160-125	428	98	87	206	14.6	11.4	3.710	4
180-90	472	105	79	212	16.4	8.2	4.860	3
180-110	472	105	82	216	16.4	10.0	4.930	3
180-125	472	105	87	221	16.4	11.4	5.100	3
180-160	472	105	98	232	16.4	14.6	5.360	3
200-63	488	112	63	197	18.2	5.8	6.150	3
200-90	488	112	79	213	18.2	8.2	6.200	3
200-110	488	112	82	217	18.2	10.0	6.350	3
200-125	488	112	87	232	18.2	11.4	6.500	3
200-160	488	112	98	233	18.2	14.6	6.760	3
225-90	534	120	79	229	20.5	8.2	8.600	2
225-110	534	120	82	233	20.5	10.0	8.800	2
225-125	534	120	87	246	20.5	11.4	8.950	2
225-160	534	120	98	249	20.5	14.6	9.070	2
225-180	559	130	108	284	20.5	16.4	10.870	1
250-90	597	129	79	250	22.7	8.2	11.460	2
250-110	597	129	82	254	22.7	10.0	11.600	2

CONTIUNED NEXT PAGE

Reducing Tee SDR 11 - SDR 17



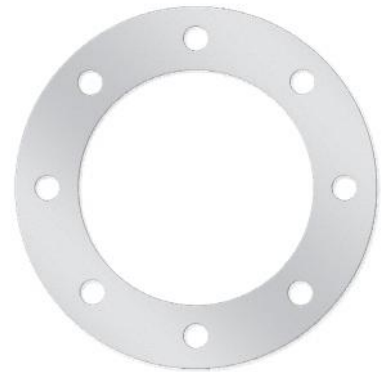
PE100 | SDR 11 | Water PN 16 | Gas 10 Bar

D - D1 (mm)	L (mm)	L1 (mm)	L2 (mm)	L3 (mm)	A (mm)	A1 (mm)	Weight (kg)	Box Quantity
250-125	597	129	87	259	22.7	11.4	11.640	2
250-160	597	129	98	270	22.7	14.6	12.000	2
250-225	597	129	120	292	22.7	20.5	12.970	2
280-110	698	139	82	294	25.4	10.0	18.400	1
280-160	698	139	98	310	25.4	14.6	18.550	1
280-200	698	139	112	324	25.4	18.2	19.100	1
280-225	698	139	120	332	25.4	20.5	19.760	1
280-250	698	139	129	342	25.4	22.7	20.500	1
315-110	726	150	82	297	28.6	10.0	22.600	1
315-160	726	150	98	313	28.6	14.6	23.800	1
315-200	726	150	112	327	28.6	18.2	24.500	1
315-225	726	150	120	335	28.6	20.5	24.800	1
315-250	726	150	129	345	28.6	22.7	25.100	1

Flange - Galvanised Steel

Galvanised | PN 16

PD (mm)	D (mm)	B (mm)	K (mm)	L (mm)	A (mm)	Bolt diameter	Number of holes	Weight (kg)	Box Quantity
25	105	34	75	TBA	14	M12	4	TBA	1
32	115	42	85	TBA	14	M12	4	TBA	1
40	140	51	100	TBA	18	M16	4	TBA	1
50	150	62	110	TBA	18	M16	4	TBA	1
63	165	78	125	TBA	18	M16	4	TBA	1
75	185	92	145	TBA	18	M16	8	TBA	1
90	200	108	160	TBA	18	M16	8	TBA	1
110	220	128	180	TBA	18	M16	8	TBA	1
125	220	135	180	TBA	18	M16	8	TBA	1
140	250	158	210	TBA	18	M16	8	TBA	1
160	285	178	240	TBA	22	M20	8	TBA	1
180	285	188	240	TBA	22	M20	8	TBA	1
200	340	235	295	TBA	22	M20	12	TBA	1
225	340	238	295	TBA	22	M20	12	TBA	1
250	405	288	355	TBA	26	M24	12	TBA	1
280	405	294	355	TBA	26	M24	12	TBA	1
315	460	338	410	TBA	26	M24	12	TBA	1
355	520	376	470	TBA	26	M24	16	TBA	1
400	580	430	525	TBA	30	M27	16	TBA	1
450	715	517	650	TBA	33	M30	20	TBA	1
500	715	535	650	TBA	33	M30	20	TBA	1
560	840	618	770	TBA	36	M33	20	TBA	1
630	840	645	770	TBA	36	M33	20	TBA	1
710	910	740	840	TBA	33	M33	24	TBA	1



Galvanised | PN 10

PD (mm)	D (mm)	B (mm)	K (mm)	L (mm)	A (mm)	Bolt diameter	Number of holes	Weight (kg)	Box Quantity
25	105	34	75	TBA	14	M12	4	TBA	1
32	115	42	85	TBA	14	M12	4	TBA	1
40	140	51	100	TBA	18	M16	4	TBA	1
50	150	62	110	TBA	18	M16	4	TBA	1
63	165	78	125	TBA	18	M16	4	TBA	1
75	185	92	145	TBA	18	M16	8	TBA	1
90	200	108	160	TBA	18	M16	8	TBA	1
110	220	128	180	TBA	18	M16	8	TBA	1
125	220	135	180	TBA	18	M16	8	TBA	1
140	250	158	210	TBA	18	M16	8	TBA	1
160	285	178	240	TBA	22	M20	8	TBA	1
180	285	188	240	TBA	22	M20	8	TBA	1
200	340	235	295	TBA	22	M20	8	TBA	1
225	340	238	295	TBA	22	M20	8	TBA	1
250	395	288	350	TBA	22	M20	12	TBA	1
280	395	294	350	TBA	22	M20	12	TBA	1
315	445	338	400	TBA	22	M20	12	TBA	1
355	505	376	460	TBA	22	M20	16	TBA	1
400	565	430	515	TBA	26	M24	16	TBA	1
450	670	517	620	TBA	26	M24	20	TBA	1
500	670	533	620	TBA	26	M24	20	TBA	1
560	780	618	725	TBA	30	M27	20	TBA	1
630	780	645	725	TBA	30	M27	24	TBA	1
710	895	740	840	TBA	30	M27	24	TBA	1
800	1015	843	950	TBA	33	M30	24	TBA	1

PRODUX

BUTTWELD FITTINGS